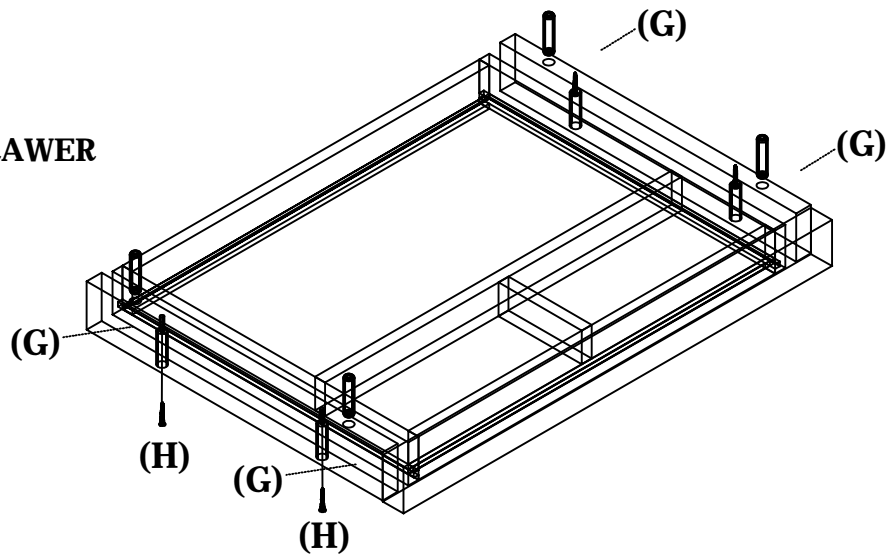


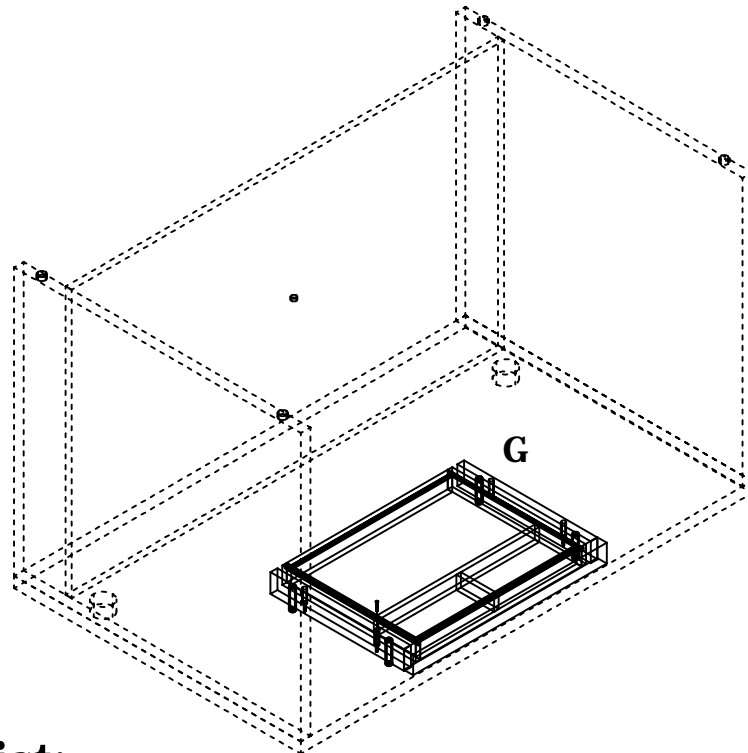
stilles™

**C0130
CENTER DRAWER**



STEP1



STEP2



Hardware List:

No.	Drawing	Description	Q'ty
H		screw#4	4pcs
G		Dowel	4pcs

Net: www.stillesoffice.com
Tel : 909930366