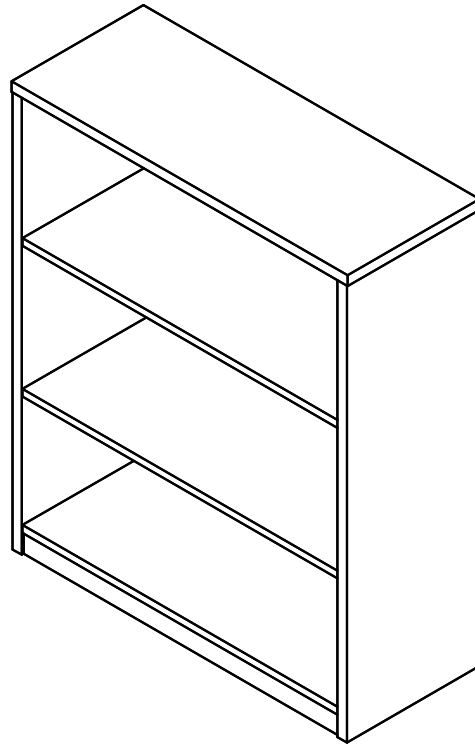
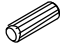


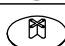






stilles™

CO529
42" BOOKCASE



Hardware List:

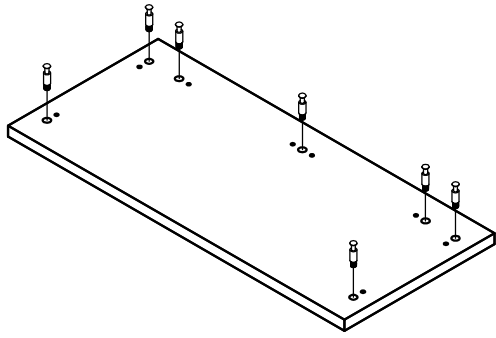
No.	Drawing	Description	Q'ty
A		Dowel	20pcs
B		Cam-stud	15pcs
C		Cam lock	15pcs
D		Grommet	15pcs
E		Leveler	4pcs

No.	Drawing	Description	Q'ty
F		lathy	12pcs
H		L-link	2pcs
J		Wood screw	8pcs

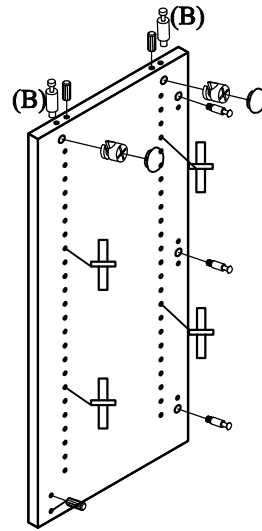
Net: www.stillesoffice.com

Tel : 909930366

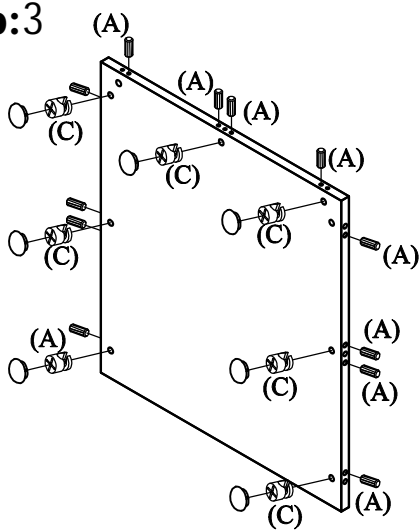
Step:1



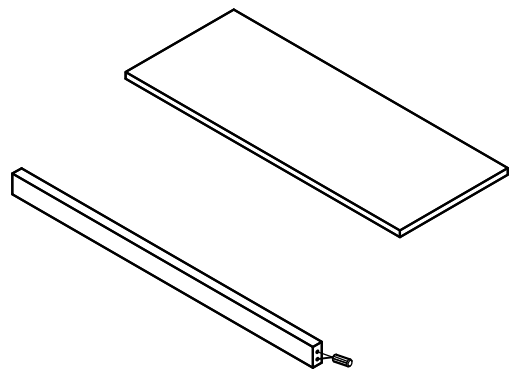
Step:2



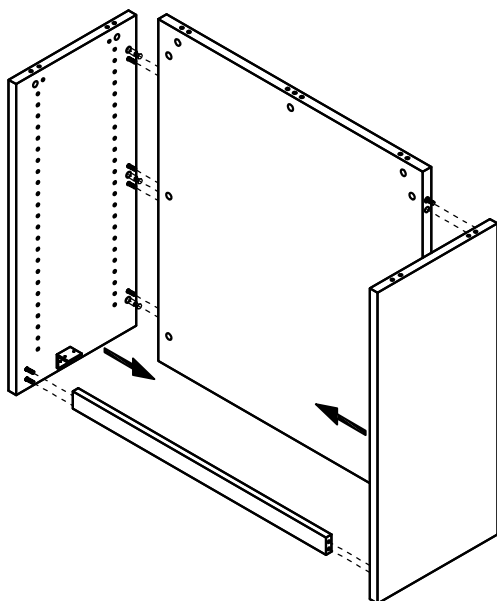
Step:3



Step:4



Step:5



Step:6

